



Unilever Belgium N.V.  
 Address: Boulevard de l'Industrie 9, 1070  
 Anderlecht, Belgium  
 BE 0438.390.312 - Brussel (1070)  
 Tel:+32 3 3320151  
 Fax: +32 23336333  
 Email: quotes@unilever-supplies.com

Attn: SALES  
 From: Wim Matthys  
 Date: 23-08-2024

**REQUEST FOR QUOTATION**

**BID REF NO: 472191077**



Document No: 62021CN0358

Request No	Line No	Item Model	Description	Unit of Measure	Qty Ordered	Unit Price	Delivery Period (leadtime)
472191077		ADTEKG-MBNGHY6474	ADTEKG-MBNGHY6474 Pump	EA	38pcs		

We would like you to source the Product by the Unique Code and supply it to us.

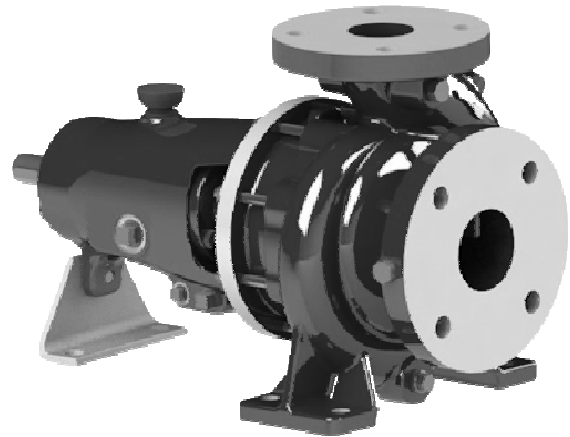
Product Unique Code: ADTEKG-MBNGHY6474

Product: ADTEKG-MBNGHY6474 Pump

Qty. 38 units

**SPECIFICATIONS:**

Fluid water  
 Operation electric  
 Technology centrifugal  
 Mobility stationary  
 Domain industrial  
 Colour Red  
 Applications discharge, firefighting  
 Other characteristics horizontal mount  
 Flow Min.: 0 m³/h (0 ft³/h)  
 Max.: 504 m³/h (17,798.59203 ft³/h)  
 Head Min.: 0 m (0'00")  
 Max.: 105 m (344'05")



Closing Date: 06/09/2024

Closing Time: 4:00 PM

**PROCEDURE OF SUBMISSION OF QUOTE**

1. Your quotation must be electronically transmitted.
2. All information must be submitted in full and any alterations on the quotation must be initialed by an authorized representative of the tender.
3. Unilever Group reserves the right to accept any tender, not necessarily the lowest, and will not be obliged to give reasons for its decision.
4. Should you not receive an order within 7 working days from the closing date and time; the tendered can assume that its tender was unsuccessful.
5. All Quotations will be deemed valid for 30 days unless otherwise indicated.

**TERMS AND CONDITIONS**

- \* Unless otherwise agreed to in writing by the parties, this order has been placed in terms of Unilever General Conditions
- \* All Prices are inclusive of all duties, charges, delivery, license and other fees plus VAT.
- \* The product we request may fall out of your scope of work, hence we would like you to source the product by code & send us an official quotation for possible approval.
- \* Payment terms, as per standard Unilever payment terms. **100% payment made in the form of bank transfer upon arrival of the items in our premises before unloading it.**

If you have any queries, please contact **Wim Matthys** by Email or Phone +32 3 3320151 OR E-mail: quotes@unilever-supplies.com